



# **BN Products-USA, LLC.**

3450 Sabin Brown Road • Wickenburg, Arizona 85390  
(800) 992-3833 • (928) 684-2813 • [www.bnproducts.com](http://www.bnproducts.com)

## BNCE-50 Cutting Edge Saw™ Parts Manual (3-16)

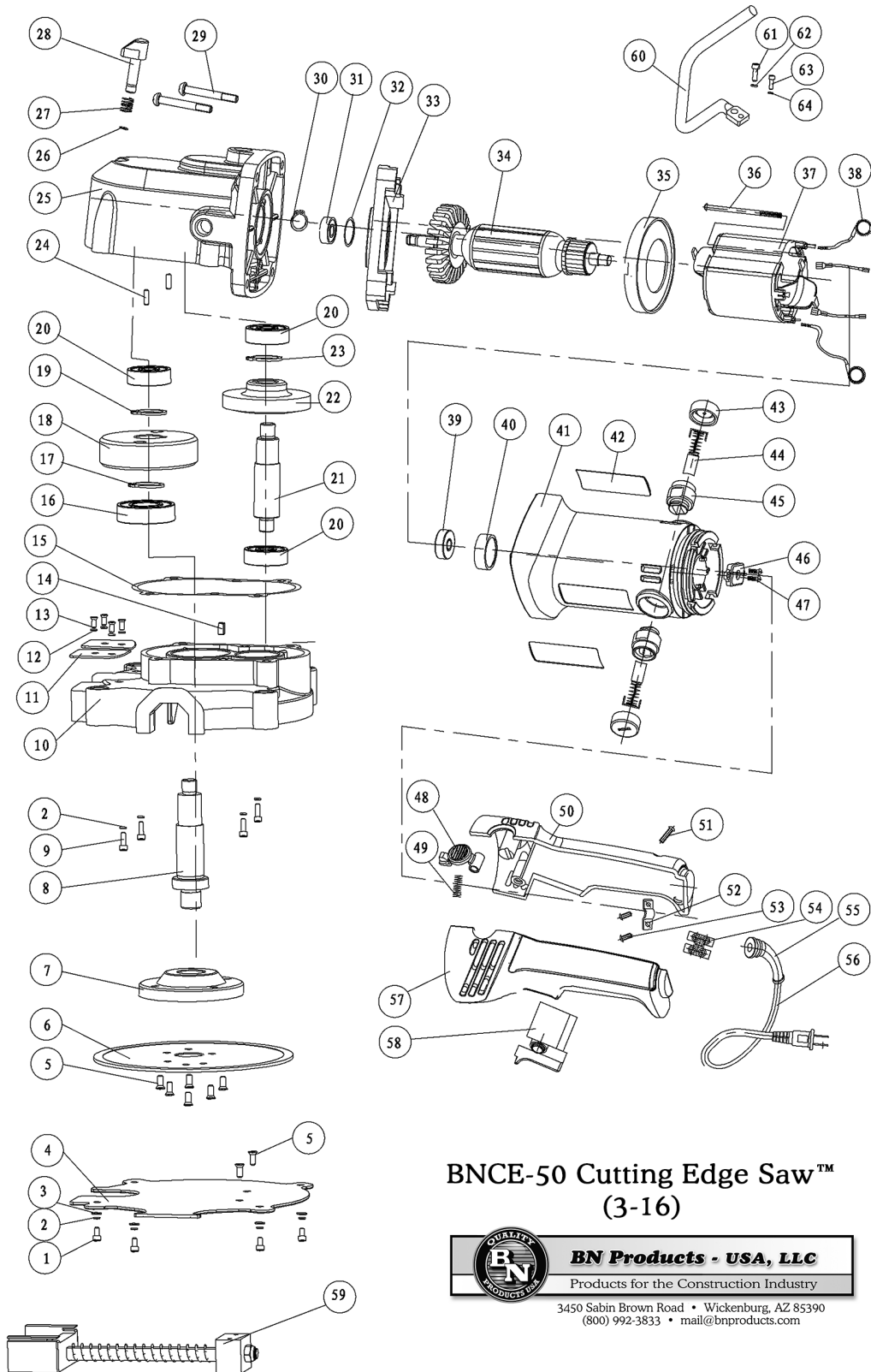


*Products that make money, save money and add value to your bottom line*



# BN Products-USA, LLC.

3450 Sabin Brown Road • Wickenburg, Arizona 85390  
(800) 992-3833 • (928) 684-2813 • www.bnproducts.com



## BNCE-50 Cutting Edge Saw™ (3-16)



Products for the Construction Industry

3450 Sabin Brown Road • Wickenburg, AZ 85390  
(800) 992-3833 • mail@bnproducts.com

*Products that make money, save money and add value to your bottom line*



# BN Products-USA, LLC.

3450 Sabin Brown Road • Wickenburg, Arizona 85390  
 (800) 992-3833 • (928) 684-2813 • www.bnproducts.com

## Parts List for BNCE-50

No.	Part	Parts Name	Qty
1	BNCEP50-1	Hexagon Socket Head Cap Head Screw-M5x16	4
2	BNCEP-8	Spring Lock Washer-5mm	8
3	BNCEP-9	Plain Washer-5mm	4
4	BNCEP50-4	Blade Cover for Fiture B	1
5	BNCEP-71	Hexagon Socket Countersunk Head Bolt-M5x8	8
6	RB-BNCE50	Blade for Ferrous Metal	1
7	BNCEP50-7	Hub	1
8	BNCEP50-8	Cutting Blade Spindle	1
9	BNCEP-7	Hexagon Socket Head Cap Head Screw-M5x30	4
10	BNCEP50-10	Blade Housing	1
11	BNCEP50-11	Left and Right Rubber Plate	2
12	BNCEP-22	Plain Washer-4mm	4
13	BNCEP50-13	Cross Recess Pan Head Screw-M4x8	4
14	BNCEP-78	Flat Key-5x5x14	1
15	BNCEP-12	Gasket Seal	1
16	BNCEP-25	Ball Bearing-6002-2RS	1
17	BNCEP-26	Spacer	1
18	BNCEP50-18	Big Gear	1
19	BNCEP-28	Shaft Clip-15	1
20	BNCEP-13	Ball Bearing-628-2Z	3
21	BNCEP-14	Gear Shaft	1
22	BNCEP-16	Bevel Gear	1
23	BNCEP50-23	Spacer	1
24	BNCEP-29	Pin-A5x16	2
25	BNCEP50-25	Alunmium Gear Box Housing	1
26	BNCEP-31	Steel Ring	1
27	BNCEP-32	Sprin for Lock Button	1
28	BNCEP-33	Blade Locking Button	1
29	BNCEP-34	Six Flower Shaped Pan Head Tapping Screws-ST4.2x32	4
30	BNCEP50-30	Shaft Clip-10	1
31	BNCEP-37	Ball Bearing-6000-2Z	1
32	BNCEP-38	O-Ring-25x2	1
33	BNCEP-39	Diaphragm	1
34	BNCEP50-34	Aramture	1

No.	Parts	Parts Name	Qty
35	BNCEP-43	Fan Guide	1
36	BNCEP-44	Cross Recessed Pan Head Tapping Screw-ST4.2x70	2
37	BNCEP-45	Stator	1
38	BNCEP-46	Electrical Connector	2
39	BNCEP-41	Ball Bearing-607-2RS	1
40	BNCEP-42	Bearing Bush	1
41	BNCEP-47	Electrical Housing	1
42	BNCEP-48	Name Plate	2
43	BNCEP-51	Brush Cap	2
44	BNCEP-50	Carbon Brush	1
45	BNCEP-49	Brush Holder	2
46	BNCEP-52	Inner Wire Retaining	1
47	BNCEP-53	Cross Recessed Pan Head Tapping Screw-ST2.9x9.5	2
48	BNCEP-54	Rotation Button for Handle	1
49	BNCEP-55	Spring for Rotation Button	1
50	BNCEP-59	Right Handle	1
51	BNCEP-60	Six Flower Shaped Pan Head Tapping Screws-ST4.2x16	4
52	BNCEP-58	Cord Retaining	1
53	BNCEP-57	Cross Recessed Pan Head Tapping Screw-ST4.2x13	2
54	BNCEP-63	Terminal	1
55	BNCEP-62	Cord Armor	1
56	BNCEP-61	Power Cord-120V	1
57	BNCEP-64	Left Handle	1
58	BNCEP-56	Trigger Switch	1
59	BNCEP50-59	Fixture B	1
60	BNCEP50-60	Help Handle	1
61	BNCEP50-61	Hexagon Socket Head Cap Head Screw-M8x16	1
62	BNCEP50-62	Spring Lock Washer-8mm	1
63	BNCEP50-63	Hexagon Socket Head Cap Head Screw-M6x16	1
64	BNCPE50-64	Spring Lock Washer-6mm	1

*Products that make money, save money and add value to your bottom line*



# **BN Products-USA, LLC.**

3450 Sabin Brown Road • Wickenburg, Arizona 85390  
(800) 992-3833 • (928) 684-2813 • [www.bnproducts.com](http://www.bnproducts.com)



*Products that make money, save money and add value to your bottom line*